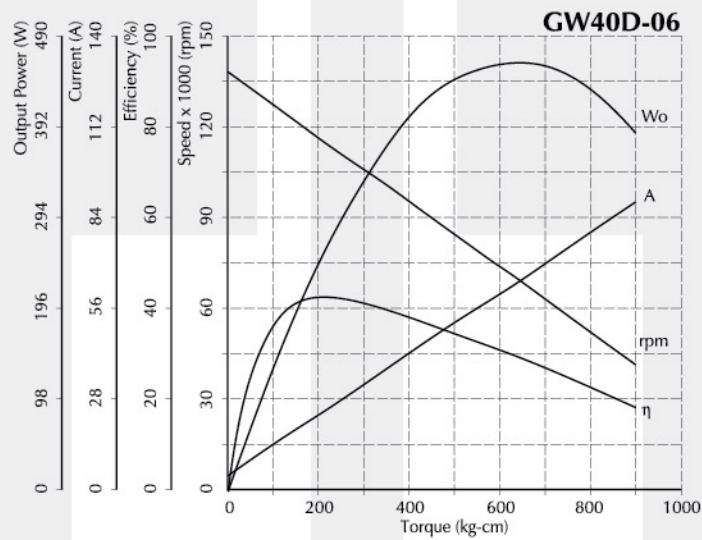




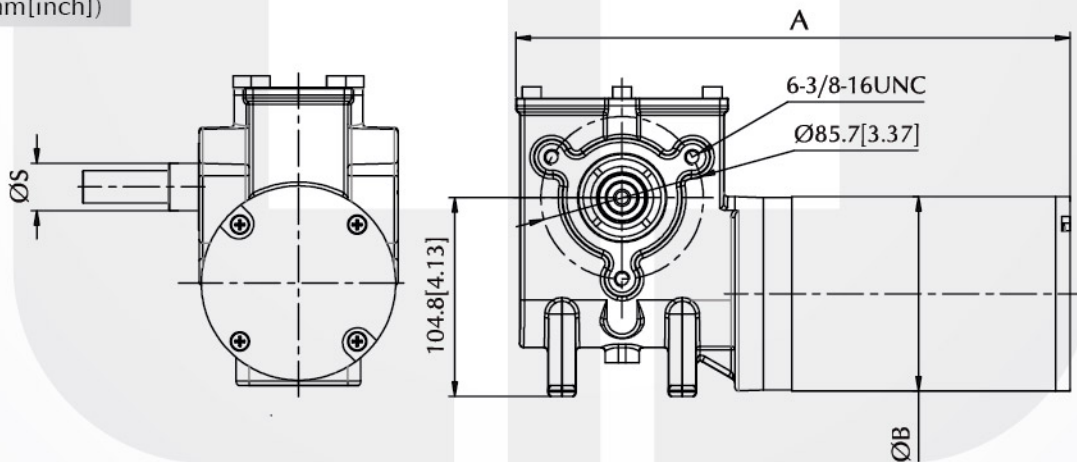
Gearmotor - GW40D-06 Series

Voltage : 12 - 36V DC
 Rated Speed : 80 - 200rpm
 Rated Output Power: 150 - 500W
 Gear Ratio : 22.3 : 1
 Rated Torque : 249.19kg-cm[216.31lb-in]
 Motor Diameter : Ø102.5mm[4.03inch]
 Typical Application : Hospital Bed

Performance Curve



Dimension (mm[inch])



Performance (testing under room temperature)

Model	Dim A mm[inch]	Dim B mm[inch]	Dim S mm[inch]	Gear Ratio	Rated Voltage (V DC)	No Load		At Maximum Efficiency				Max Power		
						Speed (rpm)	Current (A)	Torque (kg-cm[lb-in])	Speed (rpm)	Current (A)	Output (W)	Effc'y (%)	Torque (kg-cm[lb-in])	Current (A)
GW40D-06	290[11.40]	102.5[4.03]	25.0[0.98]	22.3:1	24	130	5.0	249.19[216.31]	109	25.8	279.5	45.13	744.4[647.6]	79

The information above is for reference only, detailed specification is subject to final confirmation

Email: sales@cclmotors.com Website: http://www.cclmotors.com
 4/F, No. 6, On Lok Mun Street, On Lok Tsuen, Fanling, N.T., Hong Kong.

Tel: (852) 3125 0000 Fax: (852) 3125 0125