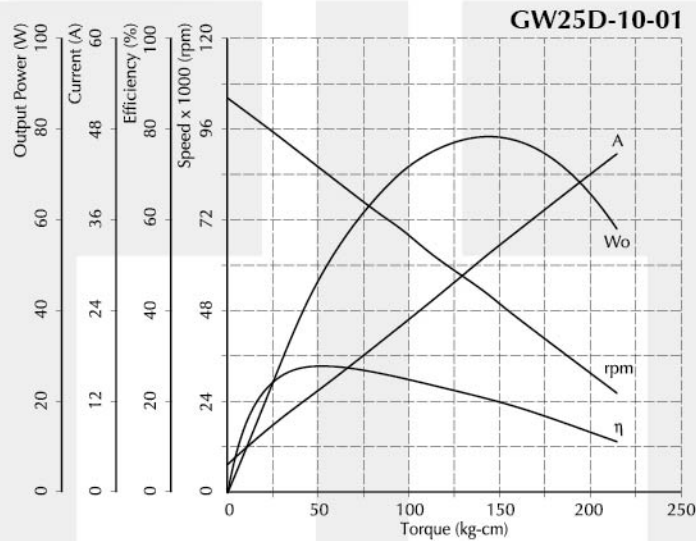




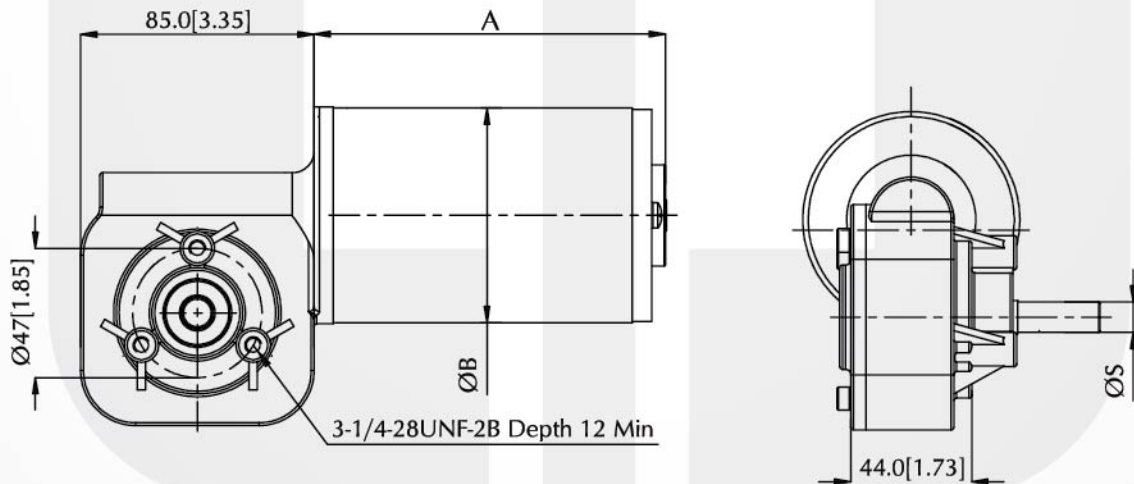
Gearmotor – GW25D/30D-01 Series

Voltage : 12 - 36V DC
 Rated Speed : 50 - 150rpm
 Rated Output Power: 30 - 100W
 Gear Ratio : 30 : 1, 35 : 1, 63 : 1
 Rated Torque : 56.10-183.74kg-cm[48.8-159.5lb-in]
 Motor Diameter : Ø63.5/76.2mm[2.5/3.0inch]
 Typical Application : Truck Lift

Performance Curve



Dimension (mm[inch])



Performance (testing under room temperature)

Model	Dim A mm[inch]	Dim B mm[inch]	Dim S mm[inch]	Gear Ratio	Rated Voltage (V DC)	No Load		At Maximum Efficiency				Max Power		
						Speed (rpm)	Current (A)	Torque (kg-cm[lb-in])	Speed (rpm)	Current (A)	Output (W)	Effic'y (%)	Torque (kg-cm[lb-in])	Current (A)
GW25D-01-01	128.7[5.07]	63.5[2.5]	17[0.67]	35:1	12	50	4.0	183.74[159.5]	43	24.47	81.1	27.63	656.3[569.3]	77.1
GW25D-01-02	128.7[5.07]	63.5[2.5]	17[0.67]	35:1	24	112	1.6	56.10[48.8]	91	8	52.3	27	153.0[133.1]	19
GW30D-01-01	128.7[5.07]	76.2[3.0]	17[0.67]	63:1	12	61	3.7	163.20[142.0]	52	21.8	85.4	33	550.6[479.0]	65
GW30D-01-02	128.7[5.07]	76.2[3.0]	17[0.67]	30:1	12	93	2.3	70.40[61.2]	79	12.1	56.8	39	234.5[204.0]	35

The information above is for reference only, detailed specification is subject to final confirmation