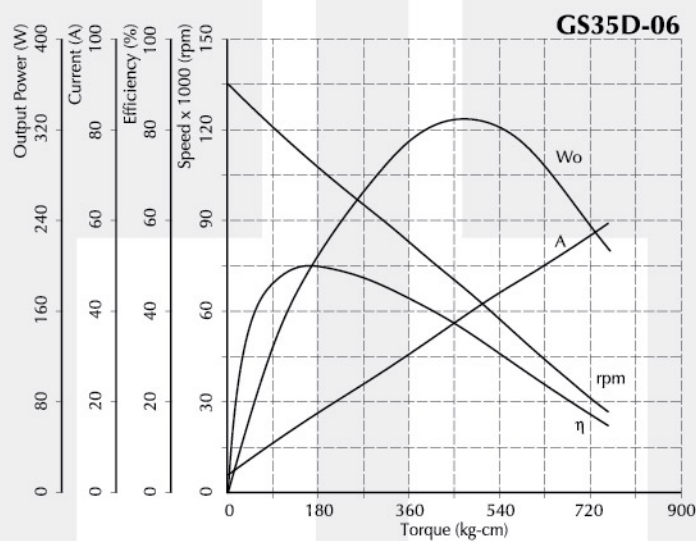


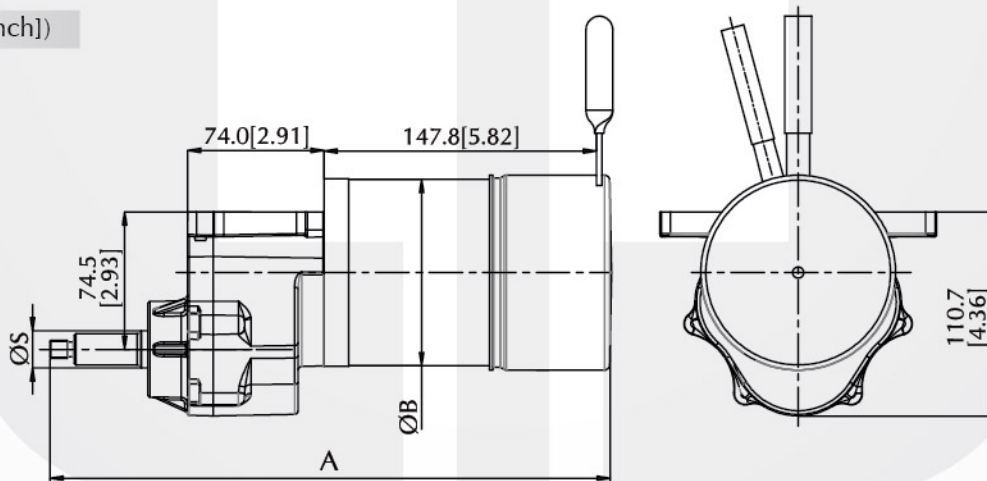
Gearmotor - GS35/40D-06 Series

Voltage : 12 - 36V DC
 Rated Speed : 150 - 250rpm
 Rated Output Power: 150 - 400W
 Gear Ratio : 26 : 1
 Rated Torque : 180.14-205.83kg-cm[156.4-178.8lb-in]
 Motor Diameter : Ø88.9/102mm[3.5/4.0inch]
 Typical Application : Electric Wheelchair

Performance Curve



Dimension (mm[inch])



Performance (testing under room temperature)

Model	Dim A mm[inch]	Dim B mm[inch]	Dim S mm[inch]	Gear Ratio	Rated Voltage (V DC)	No Load		At Maximum Efficiency				Max Power		
						Speed (rpm)	Current (A)	Torque (kg-cm[lb-in])	Speed (rpm)	Current (A)	Output (W)	Effic'y (%)	Torque (kg-cm[lb-in])	Current (A)
GS35D-06	306.3[12.06]	88.9[3.5]	20[0.79]	26:1	24	135	3.8	180.1[156.4]	110	16.6	203.0	50.9	481.7[418.1]	38
GS40D-06	306.3[12.06]	102.0[4.0]	20[0.79]	26:1	24	130	4.0	205.8[178.8]	107	19.5	227	49.1	590.7[512.8]	49

The information above is for reference only, detailed specification is subject to final confirmation

Email: sales@cclmotors.com Website: <http://www.cclmotors.com>
4/F, No. 6, On Lok Mun Street, On Lok Tsuen, Fanling, N.T., Hong Kong.

Tel: (852) 3125 0000 Fax: (852) 3125 0125