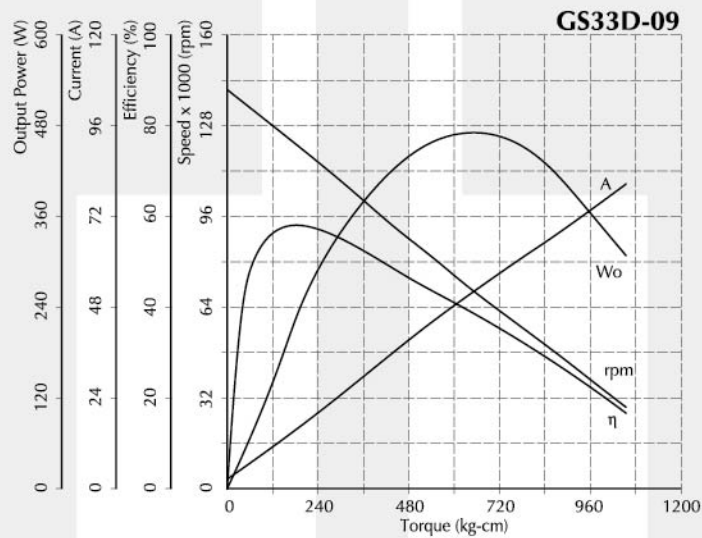




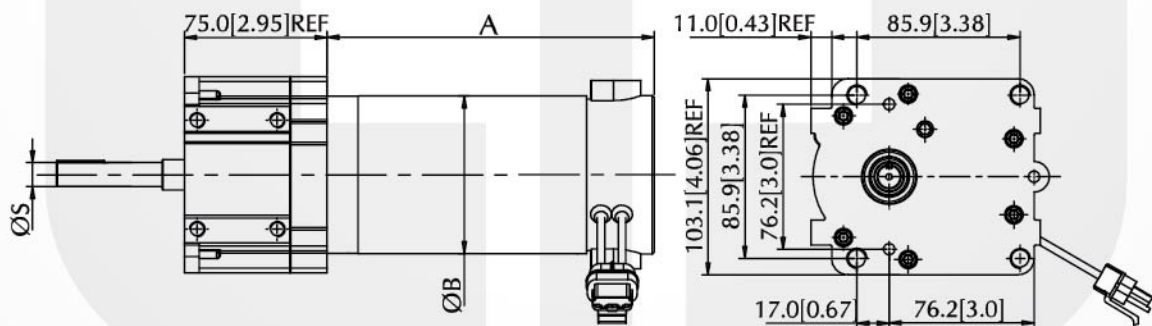
Gearmotor - GS33D-09 Series

Voltage : 12 - 36V DC
 Rated Speed : 100 - 200rpm
 Rated Output Power: 215 - 350W
 Gear Ratio : 9.7 : 1, 17.75 : 1
 Rated Torque : 59.5 - 138.4kg-cm[60.8 - 120.2lb-in]
 Motor Diameter : Ø83.8mm[3.3inch]
 Typical Application : Floor Polisher, Water Pump

Performance Curve



Dimension (mm[inch])



Performance (testing under room temperature)

Model	Dim A mm[inch]	Dim B mm[inch]	Dim S mm[inch]	Gear Ratio	Rated Voltage (V DC)	No Load		At Maximum Efficiency				Max Power		
						Speed (rpm)	Current (A)	Torque (kg-cm[lb-in])	Speed (rpm)	Current (A)	Output (W)	Effc'y (%)	Torque (kg-cm[lb-in])	Current (A)
GS33D-09-01	171.5[6.75]	83.8[3.3]	12.7[0.5]	17.75:1	24	141	2.8	138.4[120.2]	116	13.3	164.4	51	384.5[333.8]	32.1
GS33D-09-02	122.3[4.81]	83.8[3.3]	12.0[0.472]	9.7:1	24	350	3.65	59.5[60.8]	290	12.4	177.5	59.6	175.0[151.9]	31.7

The information above is for reference only, detailed specification is subject to final confirmation

Email: sales@cclmotors.com Website: <http://www.cclmotors.com>
4/F, No. 6, On Lok Mun Street, On Lok Tsuen, Fanling, N.T., Hong Kong.

Tel: (852) 3125 0000 Fax: (852) 3125 0125