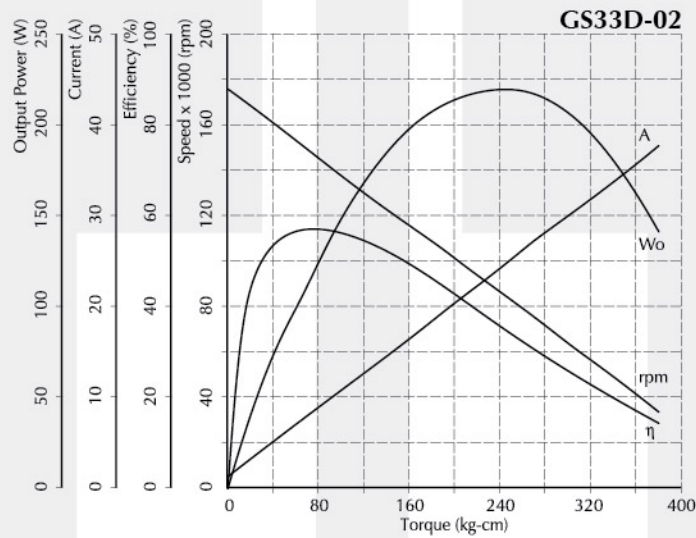




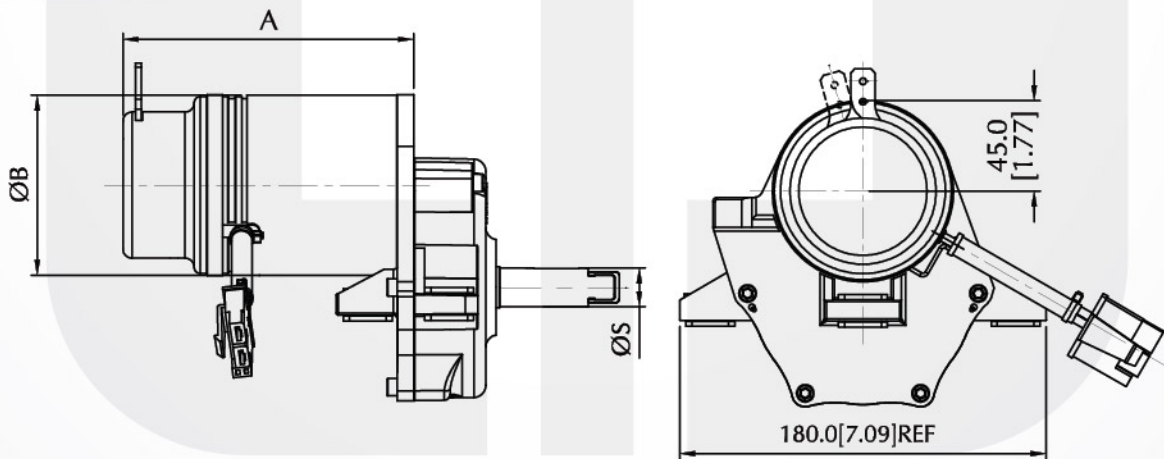
Gearmotor – GS33/35D-02 Series

Voltage : 12 - 36V DC
 Rated Speed : 150 - 250rpm
 Rated Output Power: 100 - 300W
 Gear Ratio : 17.75 : 1
 Rated Torque : 138.0-141.5kg-cm[119.8-122.8lb-in]
 Motor Diameter : Ø63.5/88.9mm[2.5/3.5inch]
 Typical Application : Electric Wheelchair
 Feature : Optional break

Performance Curve



Dimension (mm[inch])



Performance (testing under room temperature)

Model	Dim A mm[inch]	Dim B mm[inch]	Dim S mm[inch]	Gear Ratio	Rated Voltage (V DC)	No Load		At Maximum Efficiency				Max Power		
						Speed (rpm)	Current (A)	Torque (kg-cm[lb-in])	Speed (rpm)	Current (A)	Output (W)	Eff'c'y (%)	Torque (kg-cm[lb-in])	Current (A)
GS33D-02	142.8[5.62]	63.5[2.5]	20.2[0.80]	17.75:1	24	166.5	3.0	141.5[122.8]	138.2	14.3	200.8	58	416.3[361.3]	36.3
GS35D-02	142.8[5.62]	88.9[3.5]	20.2[0.80]	17.75:1	24	230	4.0	138.0[119.8]	189	19.2	267.3	58	383.3[332.8]	46.2

The information above is for reference only, detailed specification is subject to final confirmation

Email: sales@cclmotors.com Website: <http://www.cclmotors.com>
4/F, No. 6, On Lok Mun Street, On Lok Tsuen, Fanling, N.T., Hong Kong.

Tel: (852) 3125 0000 Fax: (852) 3125 0125