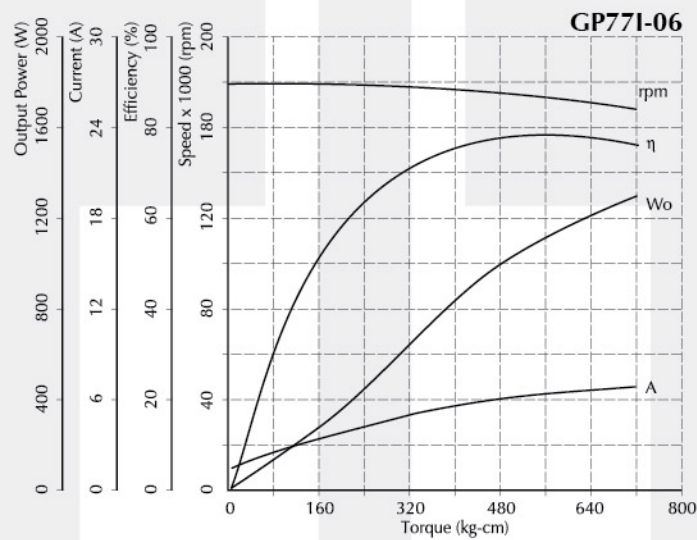




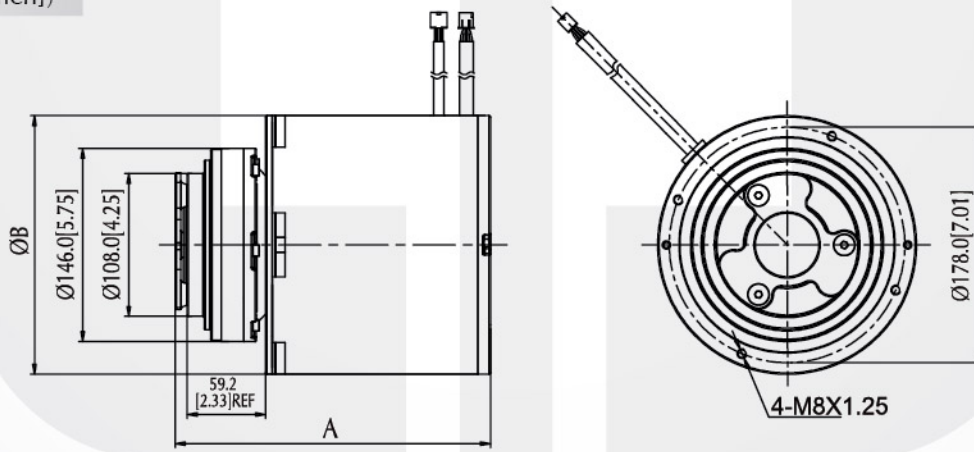
Gearmotor - GP771 Series

Voltage : 100 - 240V AC (50/60Hz)
 Rated Speed : 250 - 600rpm
 Rated Output Power: 800 - 1500W
 Gear Ratio : 8 : 1, 15 : 1
 Rated Torque : 0.5kg-cm[0.4lb-in]
 Insulation Class : F
 Motor Diameter : \varnothing 195.5mm[7.7inch]
 Typical Application : Floor Polisher

Performance Curve



Dimension (mm[inch])



Performance (testing under room temperature)

Model	Dim A mm[inch]	Dim B mm[inch]	Gear Ratio	Rated Voltage (V AC)	No Load		At Maximum Efficiency				Max Power		
					Speed (rpm)	Current (A)	Torque (kg-cm[lb-in])	Speed (rpm)	Current (A)	Output (W)	Effic'y (%)	Torque (kg-cm[lb-in])	Current (A)
GP771-06	269.3 [10.60]	195.5 [7.70]	8:1,15:1	230	186	2	0.5[0.4]	178	6.2	1.05	78	1.3[1.1]	65

The information above is for reference only, detailed specification is subject to final confirmation