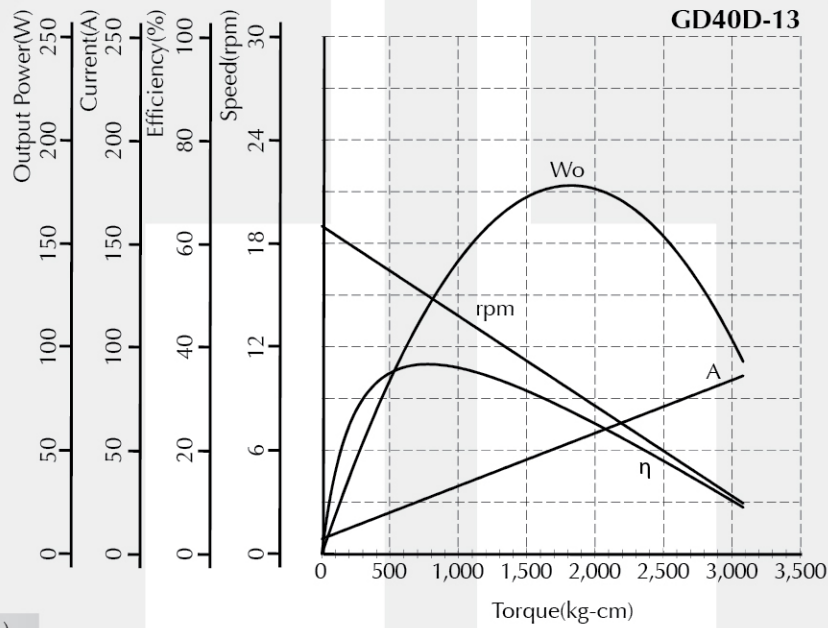




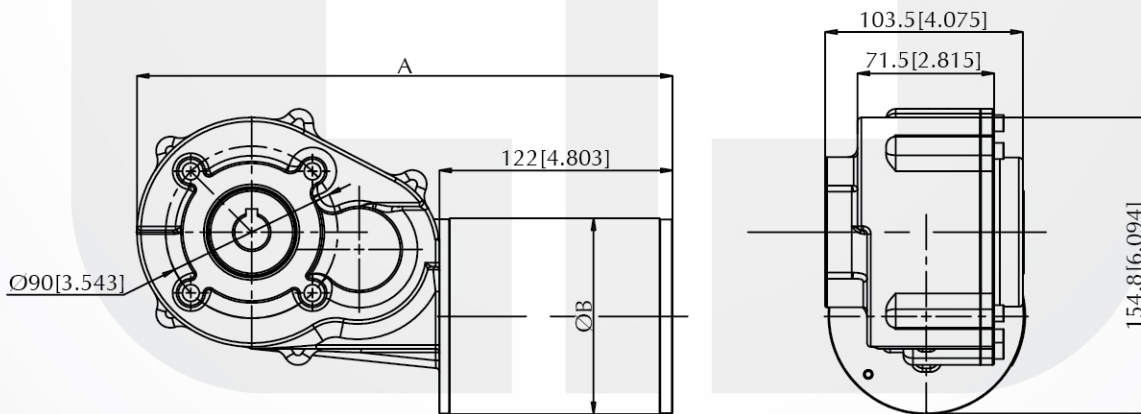
## Gearmotor - GD40D-13 Series

Voltage : 12 V DC  
 Rated Speed : 16rpm  
 Rated Output Power: 82W  
 Gear Ratio : 137.25:1  
 Rated Torque : 576kg-cm[500lb-in]  
 Motor Diameter :  $\varnothing$ 102.5mm[4.0inch]  
 Typical Application : Salt Spreader

### Performance Curve



### Dimension (mm[inch])



### Performance (testing under room temperature)

Model	Dim A mm [inch]	Dim B mm [inch]	Dim S mm [inch]	Gear Ratio	Rated Voltage (V DC)	No Load		At Maximum Efficiency				Max Power		
						Speed (rpm)	Current (A)	Torque kg-cm [lb-in]	Speed (rpm)	Current (A)	Output (W)	Effc'y (%)	Torque kg-cm [lb-in]	Current (A)
<b>GD40D-13F-0002</b>	280.28 [11.03]	102.5 [4.0]	/	137.25:1	12	19	7.3	687 [596]	13	22.3	93	34.8	1,296 [1,125]	35

The information above is for reference only, detailed specification is subject to final confirmation