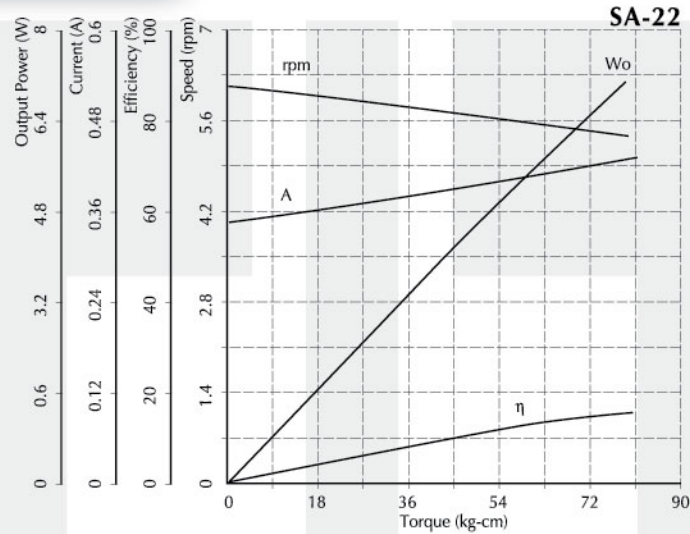




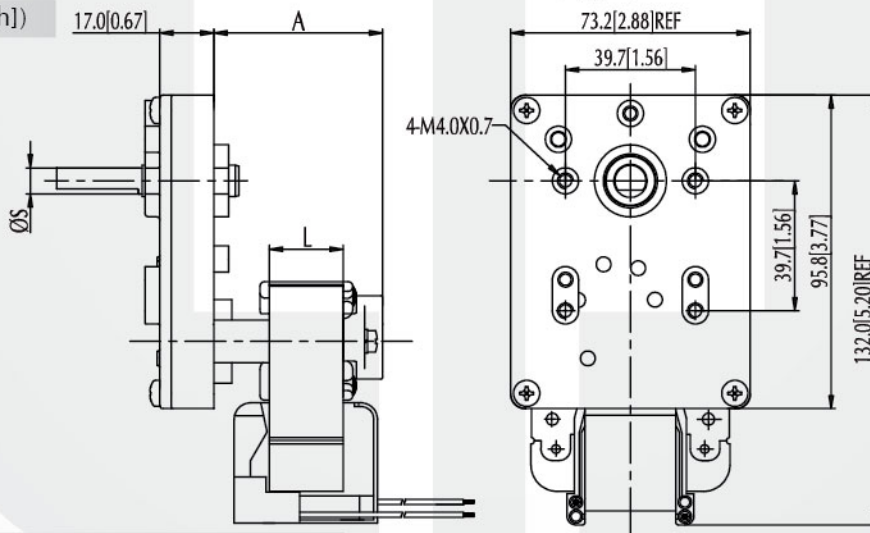
Gearmotor - GA Series

Voltage : 100 - 240V AC (50/60Hz)
 Insulation Class : A, E, B, F, H
 Gear Ratio : 120 : 1, 560 : 1
 Roted Torque : 11 - 112kg-cm[9.6 - 97.4lb-in]
 Typical Application : Vending Machine, Cooling Fan, Other reduction ratios can be customized upon request

Performance Curve



Dimension (mm[inch])



Performance (testing under room temperature)

Model	Series	Dim A mm[inch]	Dim L mm[inch]	Dim S mm[inch]	Gear Ratio	Output Speed (rpm)		Rated Torque (kg-cm[lb-in])	Max Momentary Torque (kg-cm[lb-in])
						50Hz	60Hz		
SA-10	GAA560	40[1.57]	22.0[0.87]	9.5[0.37]	560:1	4.5	5.5	55[47.9]	140[121.8]
SA-22	GAA560	52[2.05]	22.0[0.87]	9.5[0.37]	560:1	4.5	5.5	85[74.0]	210[182.7]
SA-30	GAA560	60[2.36]	22.0[0.87]	9.5[0.37]	560:1	4.5	5.5	112[97.4]	280[243.6]
SA-10	GAA120	40[1.57]	22.5[0.89]	8.0[0.31]	120:1	20.5	25.4	11[9.6]	30[26.1]
SA-22	GAA120	52[2.05]	22.5[0.89]	8.0[0.31]	120:1	20.5	25.4	18[15.7]	45[39.1]
SA-30	GAA120	60[2.36]	22.5[0.89]	8.0[0.31]	120:1	20.5	25.4	24[20.9]	60[52.2]

The information above is for reference only, detailed specification is subject to final confirmation