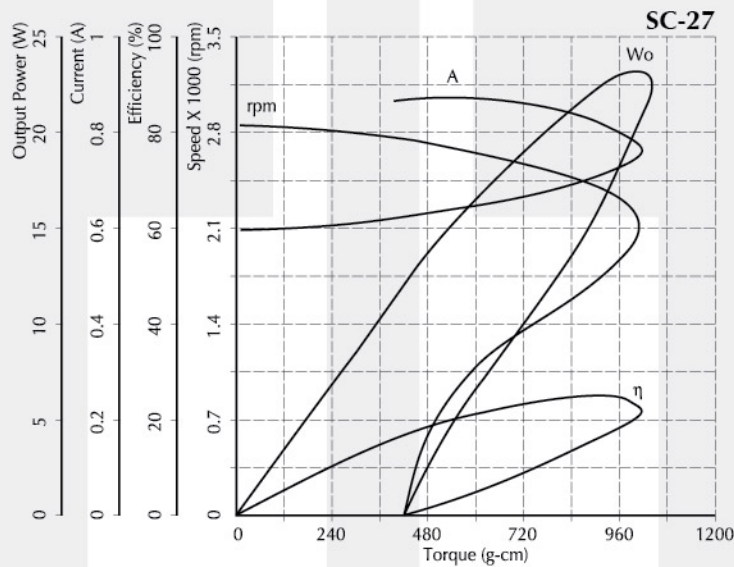


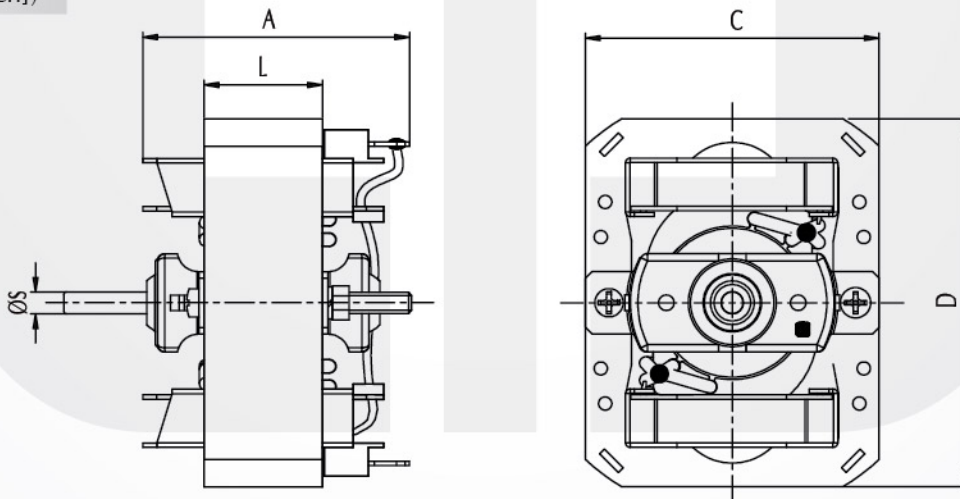
Shaded Pole Motor - SC Series

Voltage : 100 - 240V AC (50/60Hz)
 Rated Speed : 3,400rpm max
 Rated Output Power: 12 - 25W
 Insulation Class : A, E, B
 Typical Application : Kitchen Hood Fan, Ventilator

Performance Curve



Dimension (mm[inch])



Performance (testing under room temperature)

Model	Dim A mm[inch]	Dim C mm[inch]	Dim D mm[inch]	Dim L mm[inch]	Dim S mm[inch]	Rated Torque (g-cm[lb-in])	Rated Input Power (W)	Rated Output Power (W)
SC-27	57 [2.24]	67 [2.64]	84 [3.31]	27 [1.06]	5 [0.2]	400 - 850 [0.35 - 0.74]	50 - 110	12 - 25

The information above is for reference only, detailed specification is subject to final confirmation