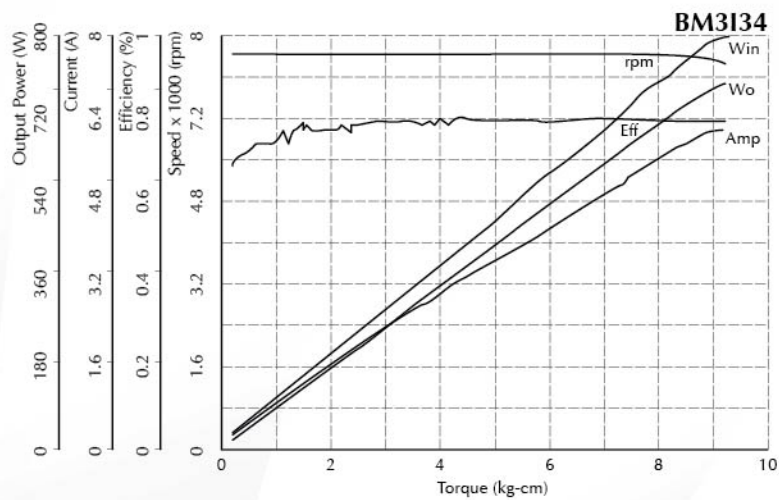




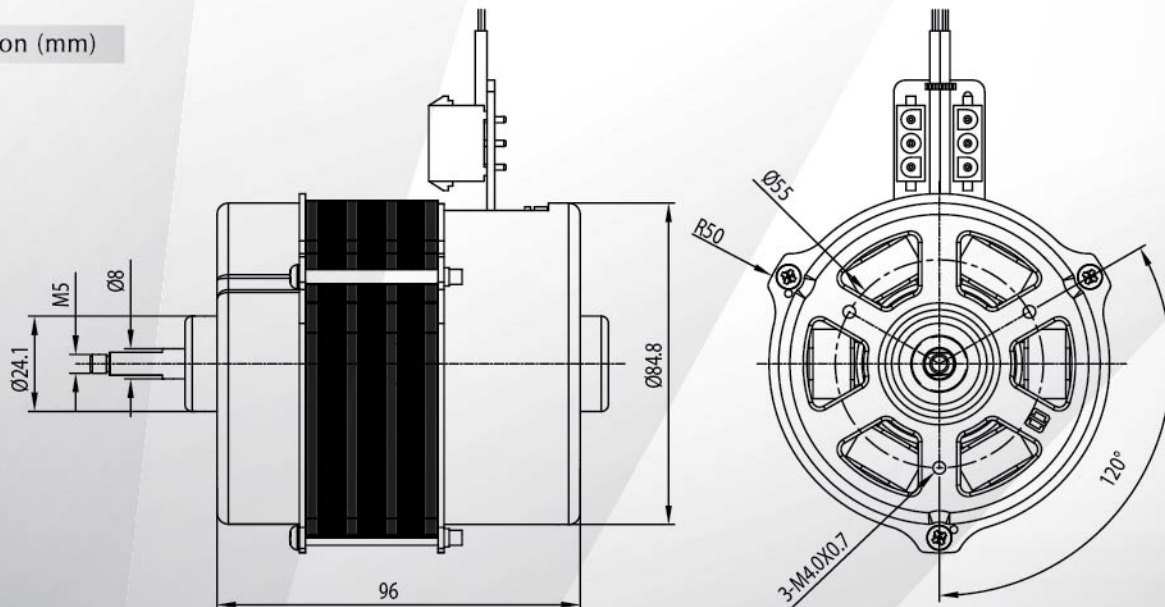
Brushless Motor - BM3134 Series

Voltage : 100 - 240V AC (50/60Hz)
 Rated Speed : 390 - 21500rpm
 Rated Output : 50 - 500W
 Insulation Class : B
 Typical Applications : Cooking Blender

Performance Curve



Dimension (mm)



Performance (testing under room temperature)

Model	Rated Voltage/ VAC	Rated Speed/ rpm	Rated Current/ A	Rated Output Power/ W
BM313435	100 - 240	390 - 21500	2 - 10	50 - 500

The information above is for reference only, detailed specification is subject to final confirmation

Email: sales@cclmotors.com Website: <http://www.cclmotors.com>
 4/F, No. 6, On Lok Mun Street, On Lok Tsuen, Fanling, N.T., Hong Kong.

Tel: (852) 3125 0000 Fax: (852) 3125 0125