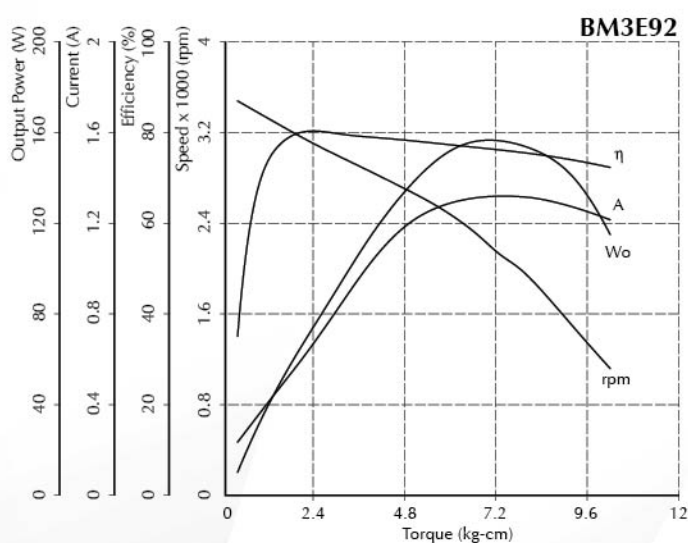




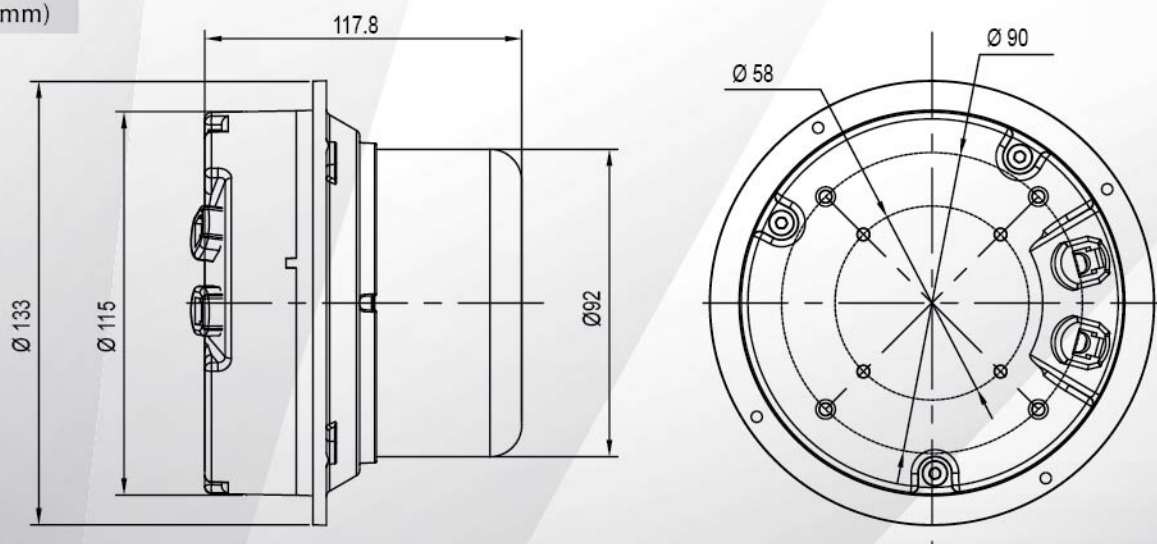
Brushless Motor - BM3E92 Series

Voltage : 110 or 230V AC
 Rated Speed : 2000rpm
 Rated Output : 90 - 250W
 Insulation Class : B
 Typical Applications : Blower Fan

Performance Curve



Dimension (mm)



Performance (testing under room temperature)

Model	Rated Voltage/ VAC	Rated Speed/ rpm	Rated Current/ A	Rated Output Power/ W
BM3E9212V	110 or 230	2000	1.4	90
BM3E9235V	110 or 230	2000	2.5	250

The information above is for reference only, detailed specification is subject to final confirmation