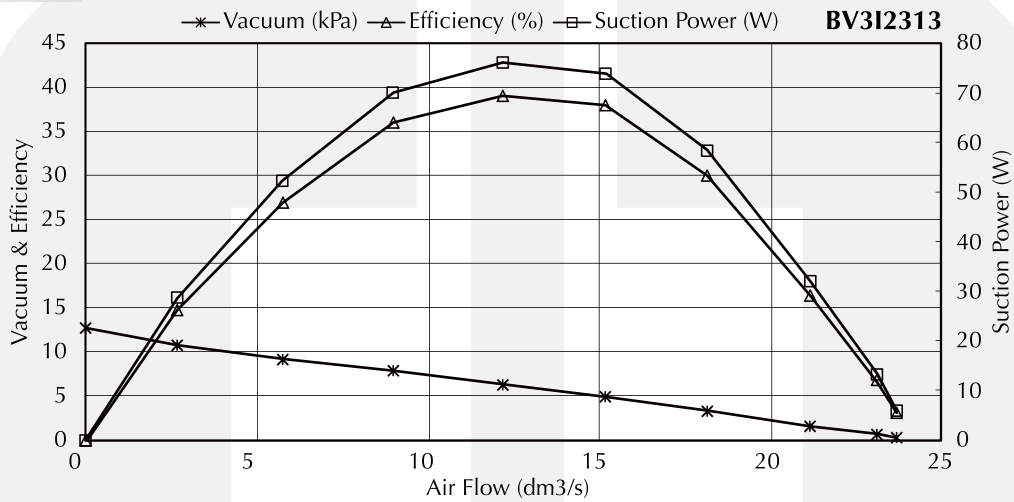




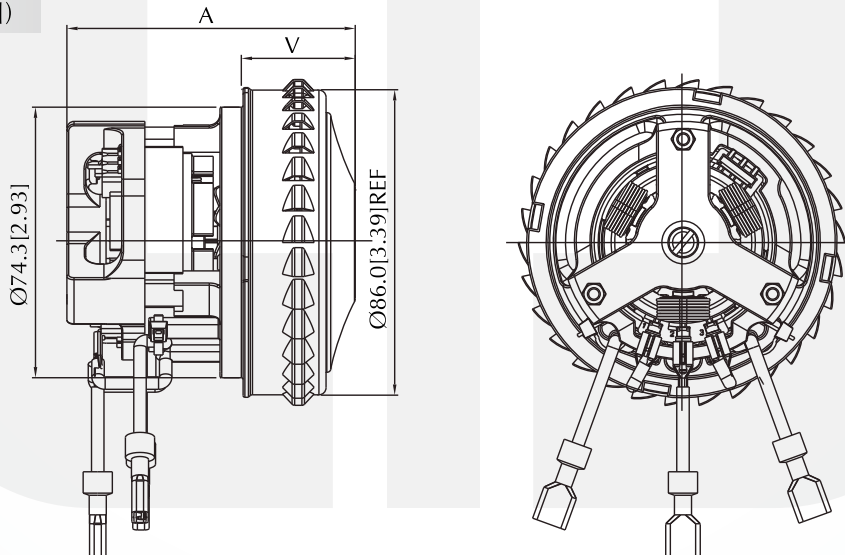
## BLDC Motor - BV3123 By-Pass

Voltage : 24V DC  
 Rated Speed : 20,000 - 42,000rpm  
 Input Constant Power : 200W  
 Blower Diameter : Ø86mm[3.39inch]  
 Stage : Single  
 Suction : 12.97KPa [ 51.18in - H2O]  
 Volume Flow Rate : 23.6dm<sup>3</sup>/s [50 CFM]  
 Typical Application : Vacuum Cleaner

### Performance Curve



### Dimension (mm[inch])



### Performance (testing under room temperature)

Model	Dim A mm[inch]	Dim V mm[inch]	Stage	Rated Input Power (W)	Maximum		
					Suction KPa[in-H2O]	Output Power (W)	Volume Flow Rate (dm <sup>3</sup> /s[CFM])
<b>BV312313</b>	81.0[3.19]	32.0[1.26]	Single	200	12.97[51.18]	76	23.67[50.18]

The information above is for reference only, detailed specification is subject to final confirmation