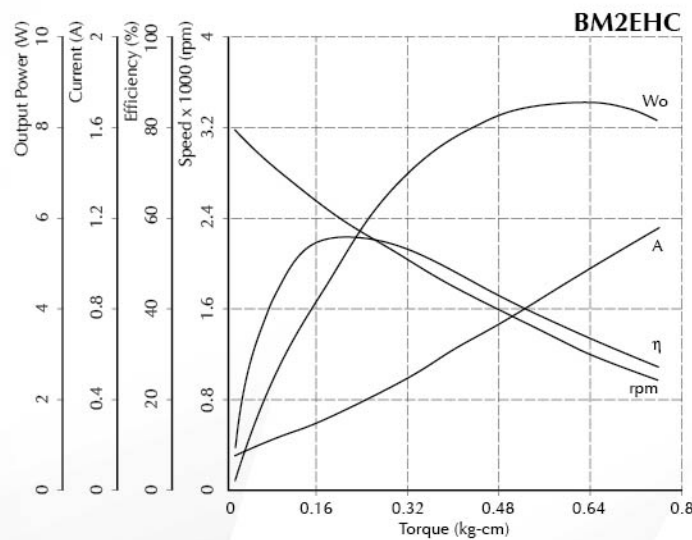




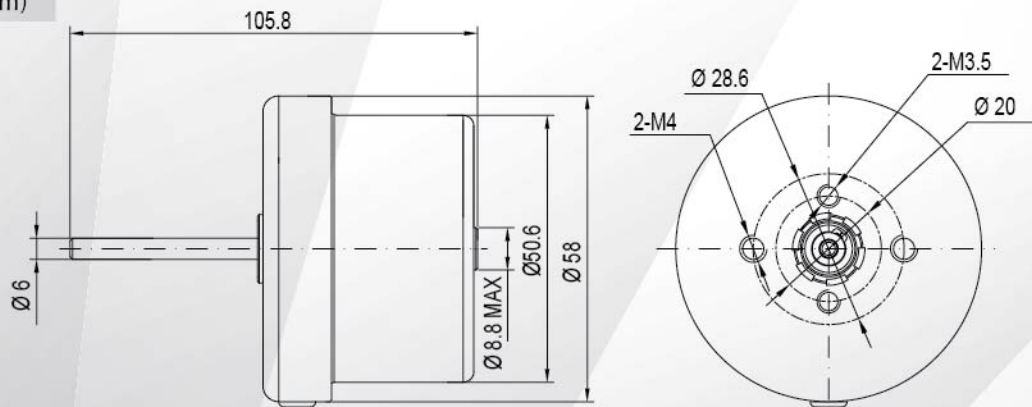
Brushless Motor - BM2EHC Series

Voltage : 24V DC
 Rated Speed : 800 - 2200rpm
 Rated Output : 3 - 15W
 Insulation Class : A
 Typical Applications : Fan, Ventilator, Air Conditioner, Air Purifier

Performance Curve



Dimension (mm)



Performance (testing under room temperature)

| Model | Rated Voltage/ VDC | Rated Speed/ rpm | Rated Current/ A | Rated Output Power/ W |
|-------------|--------------------|------------------|------------------|-----------------------|
| BM2EHCL-001 | 24 | 2000 | 0.65 | 7.8 |
| BM2EHCL-002 | 12 | 2200 | 0.9 | - |
| BM2EHCL-003 | 24 | 2000 | 0.6 | - |
| BM2EHCL-004 | 12 | 2000 | 1.1 | - |
| BM2EHCL-005 | 24 | 1200 | 0.2 | 0.37 |
| BM2EHCL-006 | 12 | 2400 | 1 | 4.9 |

The information above is for reference only, detailed specification is subject to final confirmation