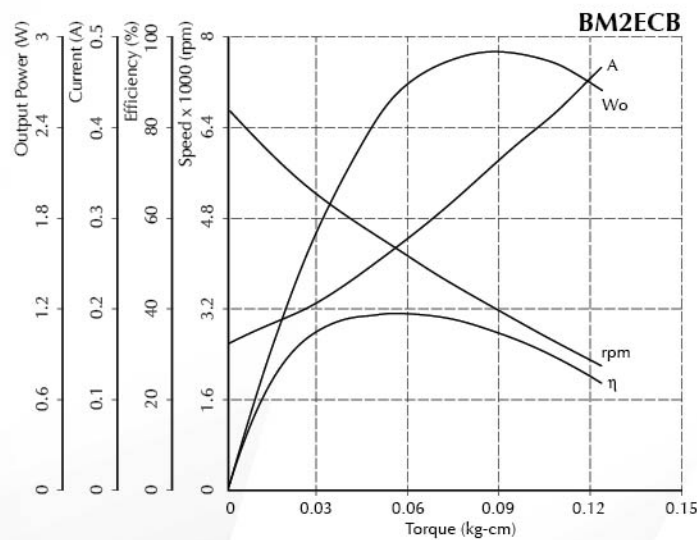




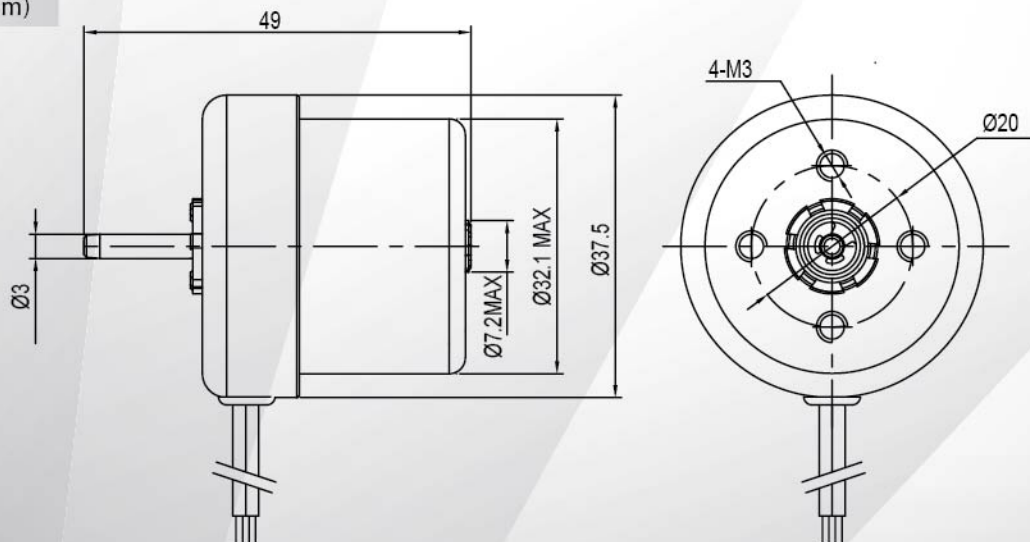
Brushless Motor - BM2ECB Series

Voltage : 24 - 48V DC
 Rated Speed : 4200 - 10000rpm
 Rated Output : 1.5 - 5W
 Insulation Class : A
 Typical Applications : Fan, Ventilator, Air Conditioner, Air Purifier

Performance Curve



Dimension (mm)



Performance (testing under room temperature)

Model	Rated Voltage/ VDC	Rated Speed/ rpm	Rated Current/ A	Rated Output Power/ W
BM2ECBN-001	24	4200	0.3	1.8
BM2ECBN-002	48	4200	0.18	2.8

The information above is for reference only, detailed specification is subject to final confirmation