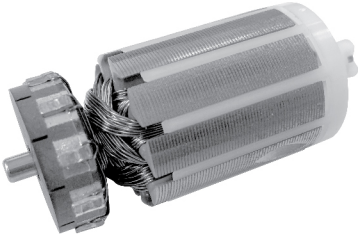
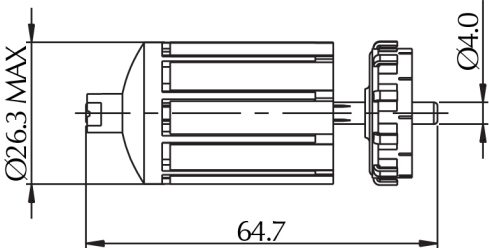
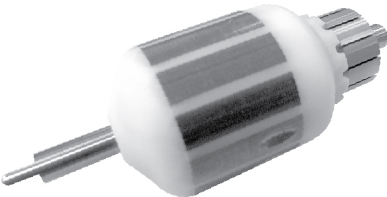
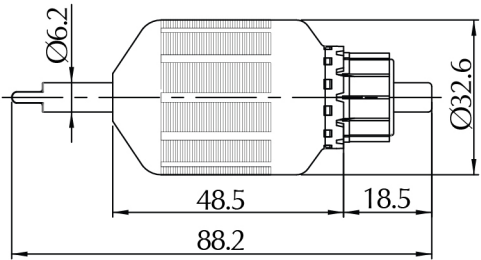

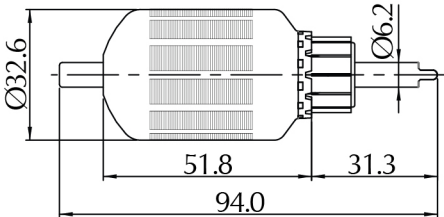

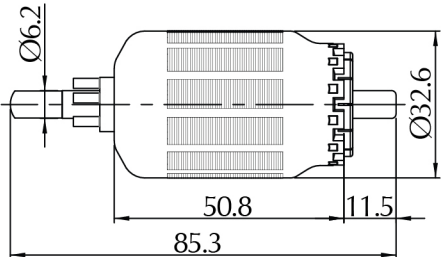


Typical Applications 应用范围 : Armature of Fuel Pump Motor
燃油泵电机电枢

Features 特性 : Overmolded
模压

Weight 重量 : 70-180(g/克)

Dimension mm 外形尺寸 毫米

Model 产品类型	Commutator 换向器		Image	Dimension mm 外形尺寸 毫米
	Material 物料	Shape 形状		
03061030001	Copper 铜	Flat 平		
03091223002	Copper 铜	Barrel 管		
03091226006	Copper 铜	Barrel 管		
03091226009	Carbon 碳	Flat 平		

This product catalogue is subject to copyright owned by the limited. Any reproduction, adaptation, distribution, dissemination or making available of such copyright works to the public is strictly prohibited. All product information is for reference only, detailed specification is subject to final confirmation.

产品资料乃授本公司之版权保护。任何复制、改编、分发、发布或提供该等版权之资料向公众是严格禁止的。所有产品信息仅供参考，详细规格以最后确认为准。