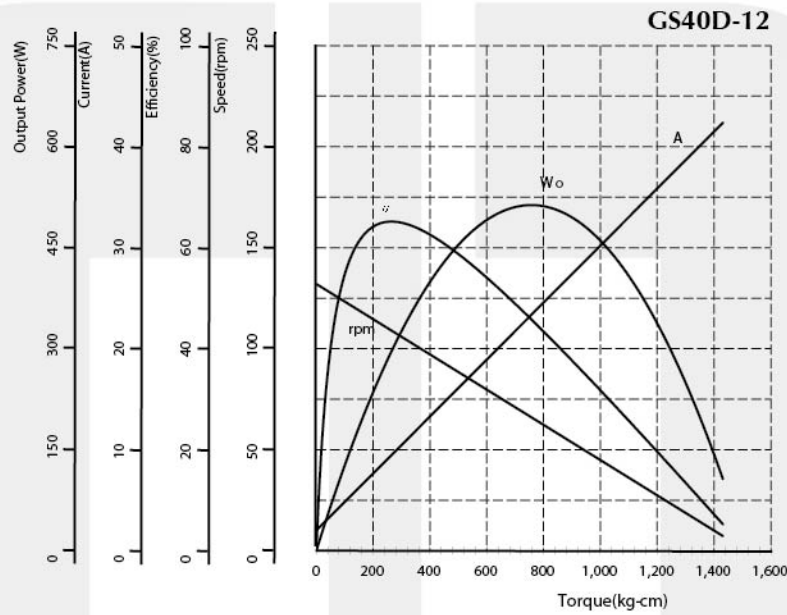




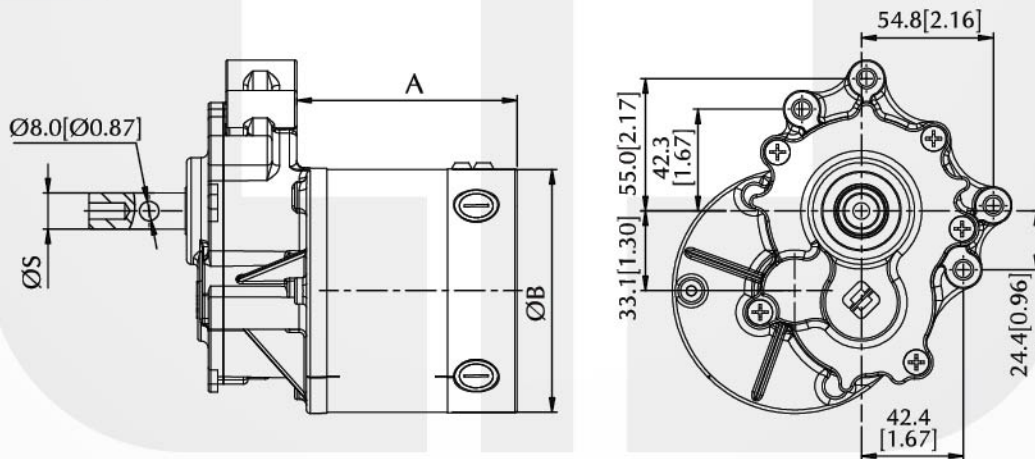
## Gearmotor – GS40D-12 Series

Voltage : 12 - 72V DC  
 Rated Speed : 80 - 130rpm  
 Rated Output Power: 100 - 300W  
 Gear Ratio : 24.4 : 1  
 Rated Torque : 240-265kg-cm[208.31-230.01b-in]  
 Motor Diameter : Ø101.6mm[4.0inch]  
 Typical Application : Cleaning Cart (Road brush)

### Performance Curve



### Dimension (mm[inch])



### Performance (testing under room temperature)

Model	Dim A mm[inch]	Dim B mm[inch]	Dim S mm[inch]	Gear Ratio	Rated Voltage (V DC)	No Load		At Maximum Efficiency				Max Power		
						Speed (rpm)	Current (A)	Torque (kg-cm[lb-in])	Speed (rpm)	Current (A)	Output (W)	Effc'y (%)	Torque (kg-cm[lb-in])	Current (A)
GS40D-12T-0001	91.5[3.60]	101.6[4.0]	15.0[0.59]	1:24.4	48	132	2.0	265[230.01]	109	9.5	296	65	757[657.05]	23.4
GS40D-12T-0002	91.5[3.60]	101.6[4.0]	15.0[0.59]	1:24.4	48	100	2.0	240[208.31]	81.5	8.8	201	47.7	650[564.17]	20.3

The information above is for reference only, detailed specification is subject to final confirmation

Email: sales@cclmotors.com Website: <http://www.cclmotors.com>  
4/F, No. 6, On Lok Mun Street, On Lok Tsuen, Fanling, N.T., Hong Kong.

Tel: (852) 3125 0000 Fax: (852) 3125 0125