

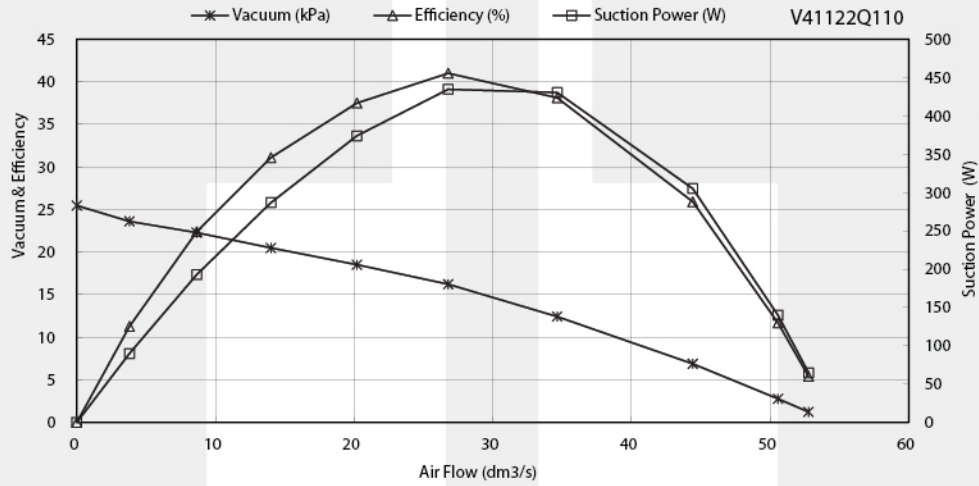


VC Motor - V4 Through Flow Series (BMC)

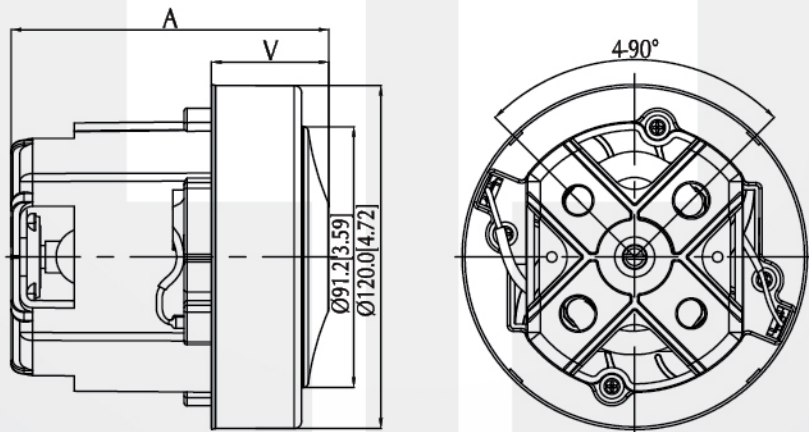
Voltage : 100-240V AC (50/60Hz)
 Rated Speed : 23,000 - 48,000rpm
 Rated Input Power : 400 - 1,400W
 Blower Diameter : Ø120mm [4.72inch]
 Stage : Single
 Suction : 25.47KPa [102.26in-H2O]
 Volume Flow Rate : 50.0dm³/s [106.0CFM]
 Typical Application : Vacuum Cleaner

*Bulk Molding Compound (BMC)

Performance Curve



Dimension (mm[inch])



Performance (testing under room temperature)

Model	Dim A mm[inch]	Dim V mm[inch]	Stage	Rated Input	Maximum		
				Power (W)	Suction KPa[in-H2O]	Output Power (W)	Volume Flow Rate (dm³/s[CFM])
V41122	109.60[4.31]	39.60[1.56]	Single	1,200	25.47[102.26]	440	50.0[106.0]

The information above is for reference only, detailed specification is subject to final confirmation