

# PMDC Motor

## 永磁直流电机

Powertrain Management System  
动力管理系统

series 系列  
0106

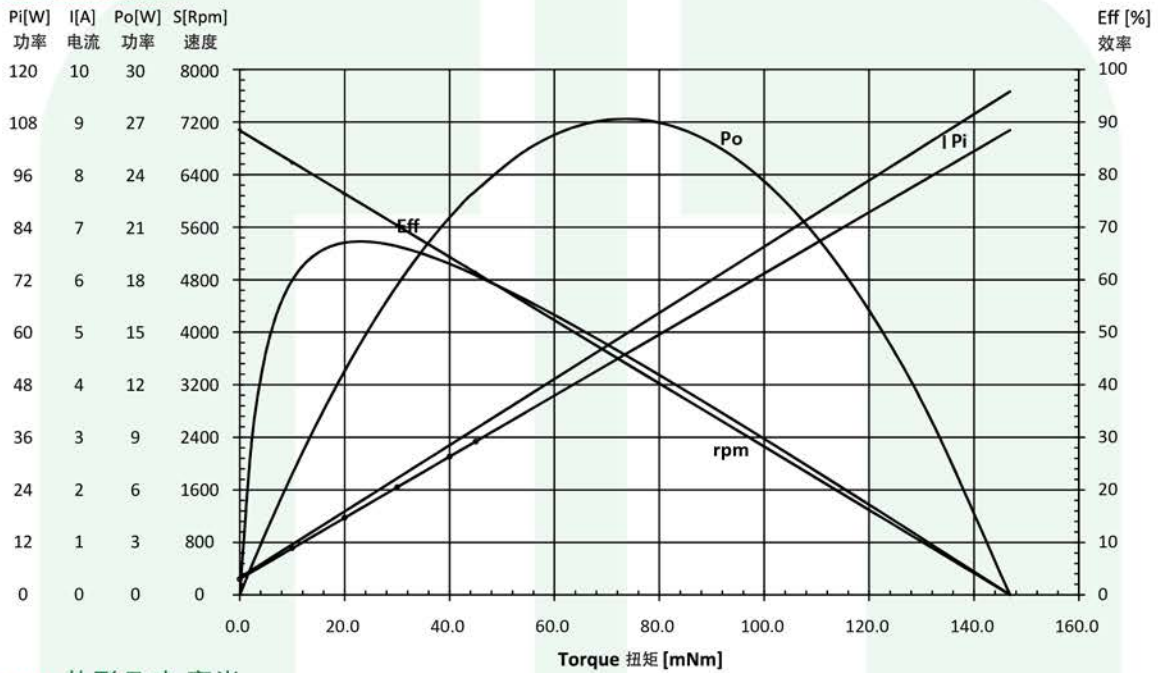
**Typical Applications 应用范围** : ETC (Electronic throttle control)  
电子节气门

**Features 特性** : High Temperature Endurance,  
High Vibration Endurance, EMC, ESD  
耐高温, 耐振动, 含EMC, ESD零件

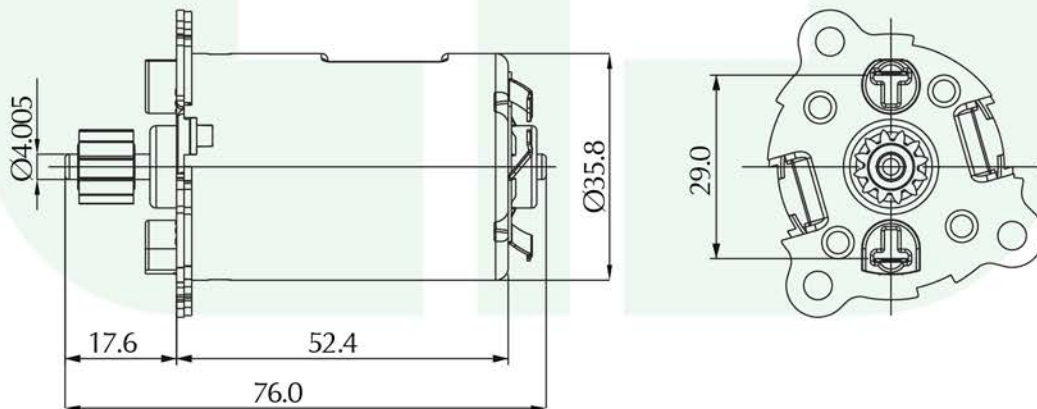
**Weight 重量** : 194(g/克)



### Performance Curve 曲线图



### Dimension mm 外形尺寸 毫米



### Performance (testing under room temperature) 马达性能(室内温度测度结果)

| Model<br>产品类型 | Motor Performance 电机性能 |                        |                      |                      |                       |                      |                         |                      |                      |                    |                    | Motor Characteristics 电机特性 |                      |                               |                                |                      |                    |                  |
|---------------|------------------------|------------------------|----------------------|----------------------|-----------------------|----------------------|-------------------------|----------------------|----------------------|--------------------|--------------------|----------------------------|----------------------|-------------------------------|--------------------------------|----------------------|--------------------|------------------|
|               | Voltage 电压             |                        | No Load 空载           |                      | Stall 堵转              |                      | Maximum Efficiency 最高效率 |                      |                      |                    | Maximum Power 最大功率 |                            |                      | Torque<br>Constant<br>[mNm/A] | Speed<br>Constant<br>[rpm/mNm] |                      |                    |                  |
|               | Rated<br>电压<br>[V]     | Operating<br>电压<br>[V] | Speed<br>转速<br>[rpm] | Current<br>电流<br>[A] | Torque<br>扭矩<br>[mNm] | Current<br>电流<br>[A] | Torque<br>扭矩<br>[mNm]   | Speed<br>转速<br>[rpm] | Current<br>电流<br>[A] | Power<br>功率<br>[W] | Eff<br>效率<br>[%]   | Torque<br>扭矩<br>[mNm]      | Speed<br>转速<br>[rpm] |                               |                                | Current<br>电流<br>[A] | Power<br>功率<br>[W] | Eff<br>效率<br>[%] |
| 01060722001   | 13                     | 11-16                  | 7,082                | 0.3                  | 146.8                 | 8.84                 | 23.2                    | 5,964                | 1.64                 | 14.4               | 67.3               | 73.4                       | 3,535                | 4.57                          | 27.2                           | 45.7                 | 17.2               | 48.2             |

This product catalogue is subject to copyright owned by the limited. Any reproduction, adaptation, distribution, dissemination or making available of such copyright works to the public is strictly prohibited. All product information is for reference only, detailed specification is subject to final confirmation.

产品资料乃授本公司之版权保护。任何复制、改编、分发、发布或提供该等版权之资料向公众是严格禁止的。所有产品信息仅供参考，详细规格以最后确认为准。