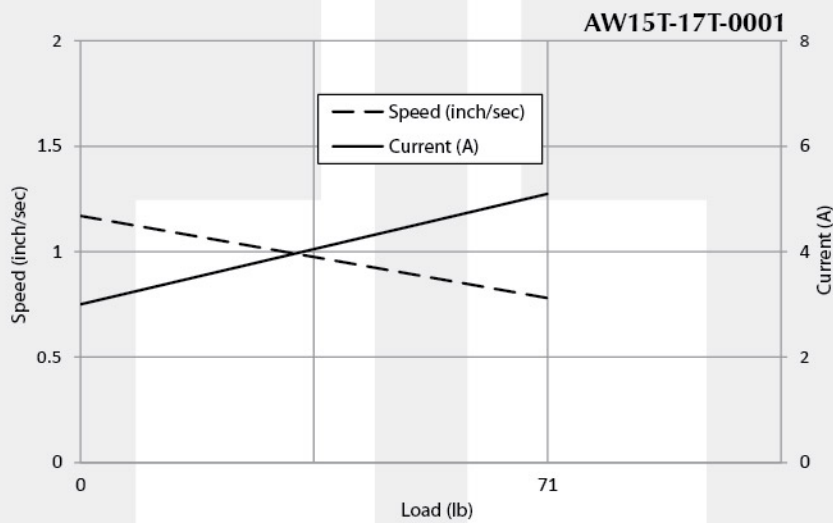


Linear Actuator - AW15T-17 Series

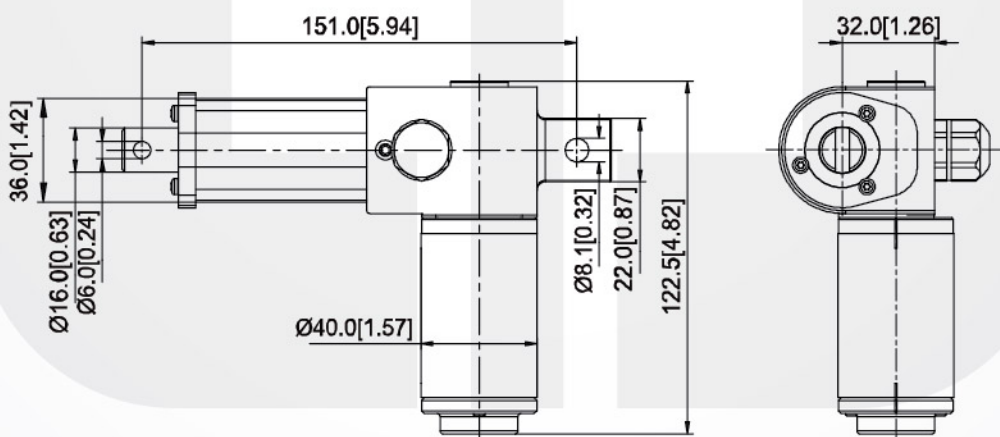


Voltage : 12 - 36V DC
 Rated Speed : 10 - 34mm/sec
 Stroke Length : 85mm[3.35inch]
 Loading Capability : 32.2kg[71lb]
 Insulation Class : A, B, H
 Motor Diameter : Ø40mm[1.57inch]
 Typical Application : Floor Scrubber

Performance Curve



Dimension (mm[inch])



Performance (testing under room temperature)

Model	Nominal	No Load		Normal Operating Load			Max Load REF		
	Voltage (V DC)	Speed mm/sec [inch/sec]	Current (A)	Load (kg[lb])	Speed mm/sec [inch/sec]	Current (A)	Load (kg[lb])	Speed mm/sec [inch/sec]	Current (A)
AW15T-17T-0001	24	35 [1.38]	2.0	5.0 [11.02]	27.1 [1.067]	3.0	32.21 [71]	19.8 [0.78]	5.1

The information above is for reference only, detailed specification is subject to final confirmation