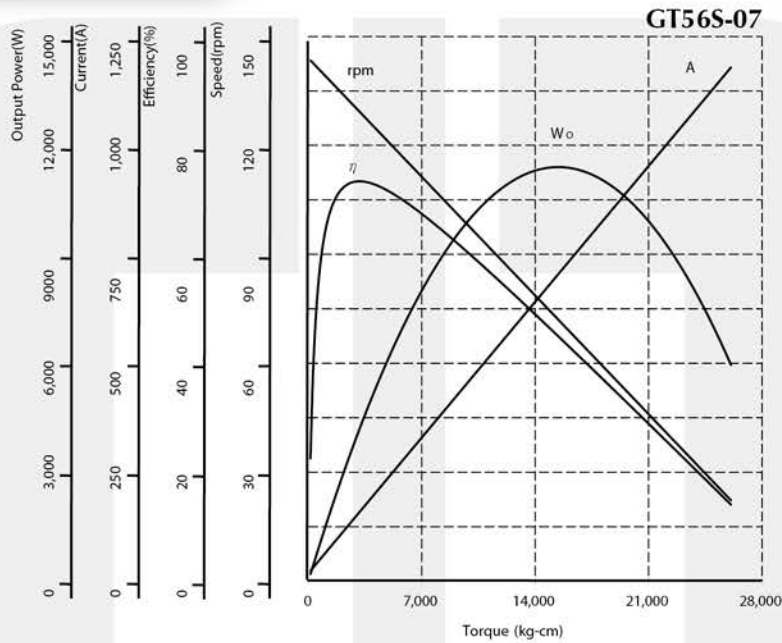




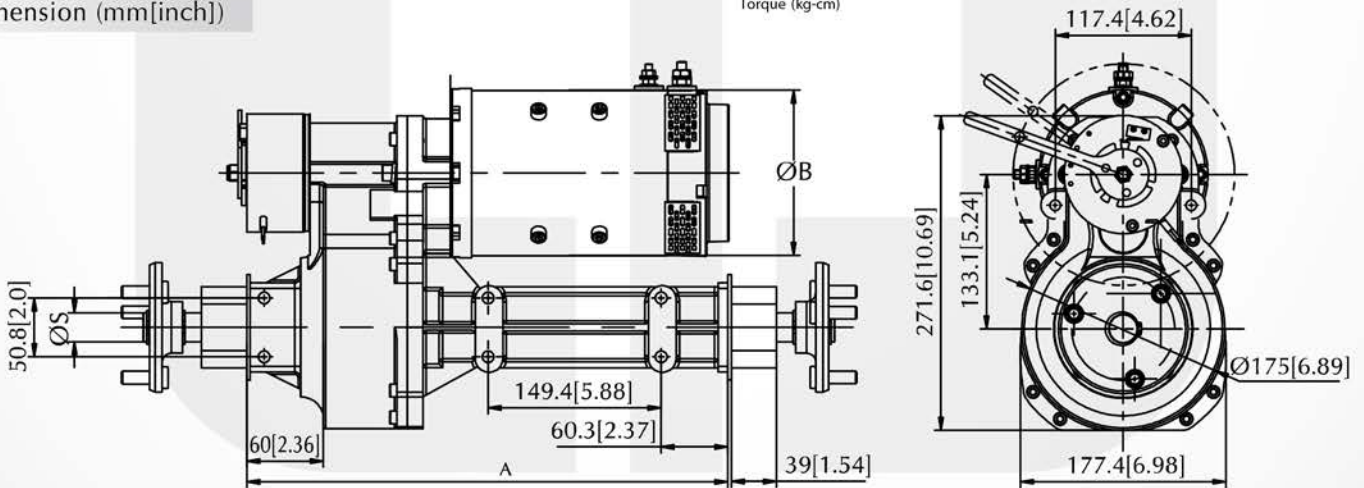
Transaxle - GT56S-07 Series

Voltage : 24 - 36V DC
 Rated Speed : 80 - 150rpm
 Rated Output Power : 2,500W MAX
 Typical Applications : Scooter, Power Cart

Performance Curve



Dimension (mm[inch])



Performance (testing under room temperature)

Model	Dim A mm[inch]	Dim B mm[inch]	Dim S mm[inch]	Gear Ratio	Rated Voltage (VDC)	No Load		At Maximum Efficiency				Max Power		
						Speed (rpm)	Current (A)	Torque (kg-cm[lb-in])	Speed (rpm)	Current (A)	Output (W)	Effic'y (%)	Torque (kg-cm[lb-in])	Current (A)
GT56S-07	496[19.53]	141.5[5.57]	25.4[1.0]	29.2:1	36	144	18	3,085.0[2,675.3]	129	155.8	4,107	73.2	15,428.6[13,379.7]	707

The information above is for reference only, detailed specification is subject to final confirmation

Email: sales@cclmotors.com Website: <http://www.cclmotors.com>
 4/F, No. 6, On Lok Mun Street, On Lok Tsuen, Fanling, N.T., Hong Kong.

Tel: (852) 3125 0000 Fax: (852) 3125 0125