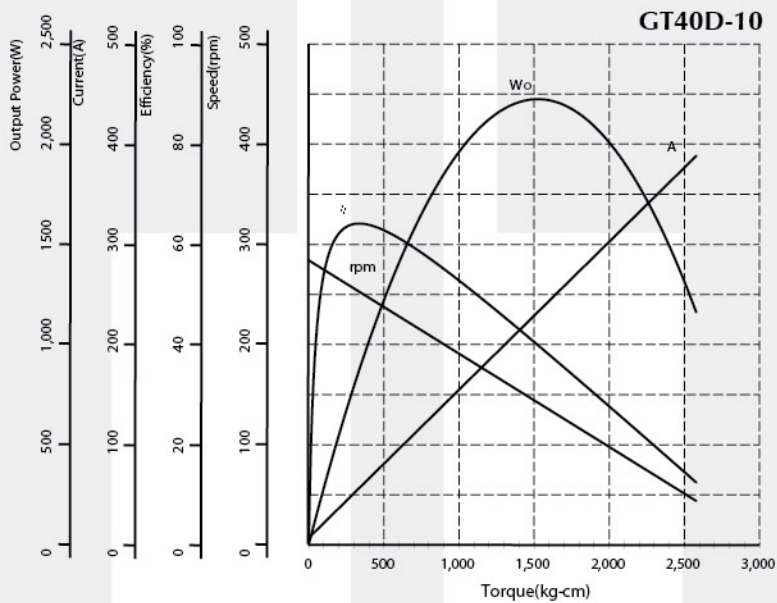


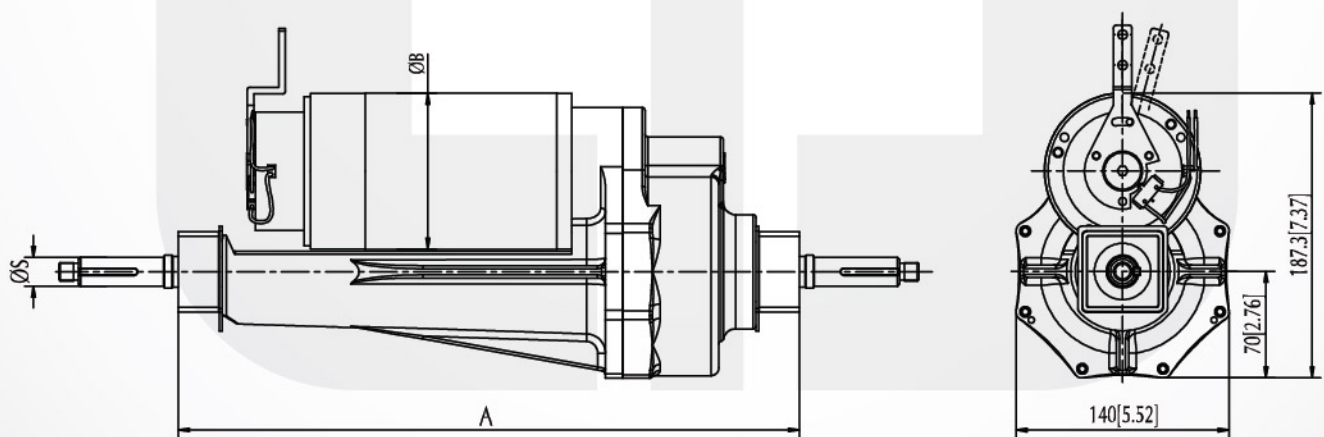
## Transaxle - GT40D-10 Series

Voltage : 12 - 36V DC  
 Rated Speed : 90 - 220rpm  
 Rated Output Power: 260 - 1,000W  
 Gear Ratio : 19.75 : 1  
 Rated Torque : 335.47kg-cm[291.17lb-in]  
 Loading Capability : 1,525kg-cm[1,323lb-in]  
 Motor Diameter :  $\varnothing$ 101.6mm[4.0inch]  
 Typical Application : Heavy Duty Scooter, Polisher, Golf Cart

### Performance Curve



### Dimension (mm[inch])



### Performance (testing under room temperature)

Model	Dim A mm[inch]	Dim B mm[inch]	Dim S mm[inch]	Gear Ratio	Rated Voltage (V DC)	No Load		At Maximum Efficiency				Max Power		
						Speed (rpm)	Current (A)	Torque (kg-cm[lb-in])	Speed (rpm)	Current (A)	Output (W)	Effic'y (%)	Torque (kg-cm[lb-in])	Current (A)
GT40D-10-02	408.2[16.09]	101.6[4.0]	19.07[0.75]	19.75:1	24	284	7.0	335.47[291.17]	252.8	56.57	870.8	64.14	1525[1323]	232.3

The information above is for reference only, detailed specification is subject to final confirmation

Email: sales@cclmotors.com Website: <http://www.cclmotors.com>  
4/F, No. 6, On Lok Mun Street, On Lok Tsuen, Fanling, N.T., Hong Kong.

Tel: (852) 3125 0000 Fax: (852) 3125 0125