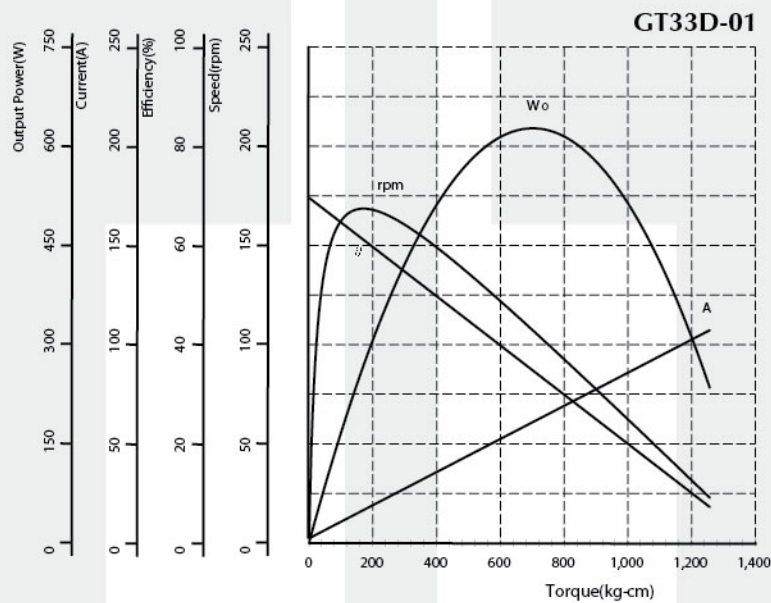




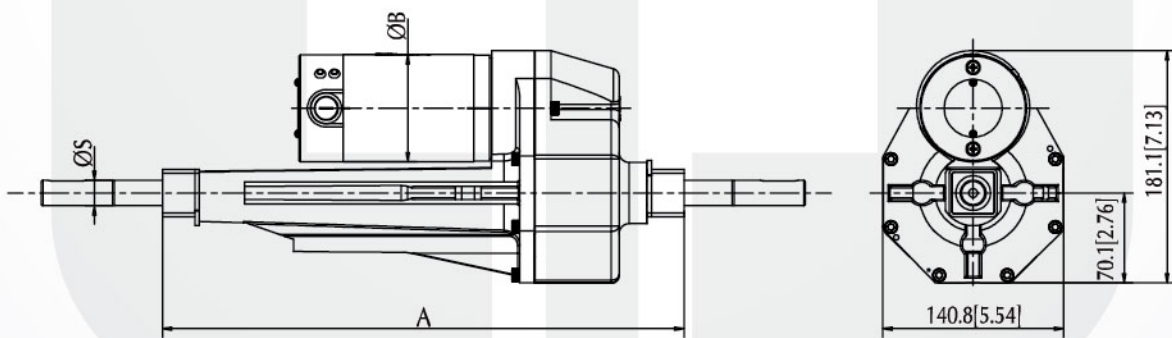
Transaxle – GT33D-01 Series

Voltage : 12 - 36V DC
 Rated Speed : 100 - 200rpm
 Rated Output Power: 150 - 500W
 Gear Ratio : 19.75 : 1
 Rated Torque : 160.0-214.0kg-cm[138.87-185.74lb-in]
 Loading Capability : 805.4kg-cm[699.05lb-in]
 Motor Diameter : Ø83.8mm[3.3inch]
 Typical Application : Polisher, Scooter, Golf Cart

Performance Curve



Dimension (mm[inch])



Performance (testing under room temperature)

Model	Dim A mm[inch]	Dim B mm[inch]	Dim S mm[inch]	Gear Ratio	Rated Voltage (V DC)	No Load		At Maximum Efficiency				Max Power		
						Speed (rpm)	Current (A)	Torque (kg-cm[lb-in])	Speed (rpm)	Current (A)	Output (W)	Effc'y (%)	Torque (kg-cm[lb-in])	Current (A)
GT33D-01-01	406.2[15.99]	83.8[3.3]	20.0[0.79]	19.75:1	24	174	2.3	169.3[146.99]	153	16.45	266.3	67.45	705.7[612.52]	61.3
GT33D-01-02	406.2[15.99]	83.8[3.3]	20.0[0.79]	19.75:1	24	200	2.6	185.2[160.75]	177	20.7	336.7	67.6	805.4[699.05]	81.5
GT33D-01-03	406.2[15.99]	83.8[3.3]	20.0[0.79]	19.75:1	24	185	3.5	214.0[185.74]	160	23.12	351.8	63.4	793.0[688.29]	76.2
GT33D-01-04	406.2[15.99]	83.8[3.3]	20.0[0.79]	19.75:1	24	141	2.0	160.0[138.87]	122.7	13	201.6	64.6	615.5[534.23]	44.3

The information above is for reference only, detailed specification is subject to final confirmation

Email: sales@cclmotors.com Website: <http://www.cclmotors.com>
4/F, No. 6, On Lok Mun Street, On Lok Tsuen, Fanling, N.T., Hong Kong.

Tel: (852) 3125 0000 Fax: (852) 3125 0125