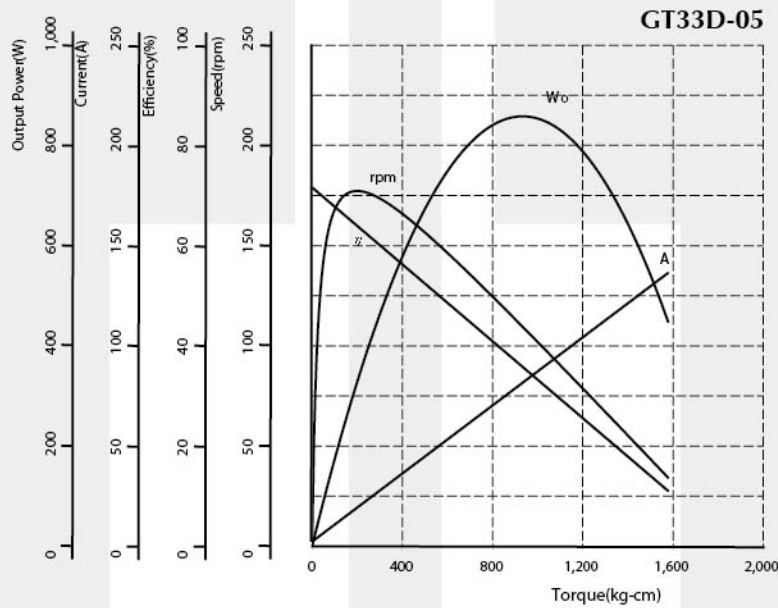




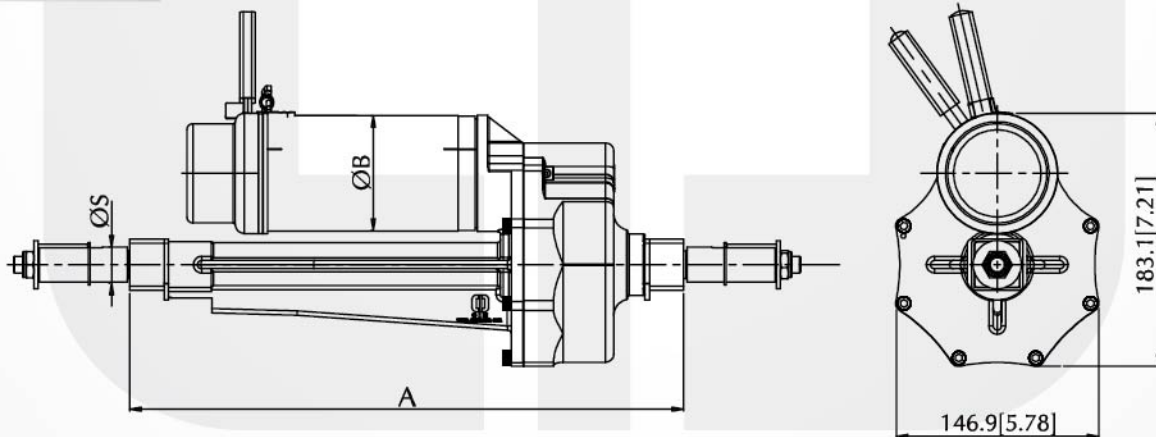
## Transaxle – GT33D-05 Series

Voltage : 12 - 36V DC  
 Rated Speed : 100 - 200rpm  
 Rated Output Power: 150 - 400W  
 Gear Ratio : 19.75 : 1  
 Rated Torque : 178.7-196.0kg-cm[155.1-170.1lb-in]  
 Loading Capability : 933.4kg-cm[810.2lb-in]  
 Motor Diameter : Ø83.8mm[3.3inch]  
 Typical Application : Polisher, Scooter, Golf Cart

### Performance Curve



### Dimension (mm[inch])



### Performance (testing under room temperature)

| Model       | Dim A<br>mm[inch] | Dim B<br>mm[inch] | Dim S<br>mm[inch] | Gear<br>Ratio | Rated<br>Voltage<br>(VDC) | No Load        |                | At Maximum Efficiency    |                |                |               | Max Power      |                          |                |
|-------------|-------------------|-------------------|-------------------|---------------|---------------------------|----------------|----------------|--------------------------|----------------|----------------|---------------|----------------|--------------------------|----------------|
|             |                   |                   |                   |               |                           | Speed<br>(rpm) | Current<br>(A) | Torque<br>(kg-cm[lb-in]) | Speed<br>(rpm) | Current<br>(A) | Output<br>(W) | Eff'c'y<br>(%) | Torque<br>(kg-cm[lb-in]) | Current<br>(A) |
| GT33D-05-01 | 406.5[16]         | 83.8[3.3]         | 19[0.75]          | 19.75:1       | 24                        | 179            | 2.3            | 196.0[170.1]             | 160            | 18.95          | 322.5         | 70.9           | 933.4[810.20]            | 81.57          |
| GT33D-05-02 | 406.5[16]         | 83.8[3.3]         | 19[0.75]          | 19.75:1       | 24                        | 178            | 2.5            | 178.7[155.1]             | 158.4          | 20.6           | 291.7         | 58.7           | 812.1[704.87]            | 84.8           |
| GT33D-05-03 | 406.5[16]         | 83.8[3.3]         | 19[0.75]          | 19.75:1       | 24                        | 190            | 3.5            | 189.8[164.7]             | 157            | 24.3           | 305.2         | 52             | 730.0[633.60]            | 83.5           |

The information above is for reference only, detailed specification is subject to final confirmation