

# PMDC Motor 永磁直流电机

Body & Interior  
车身及内部调控系统

series 系列  
0107

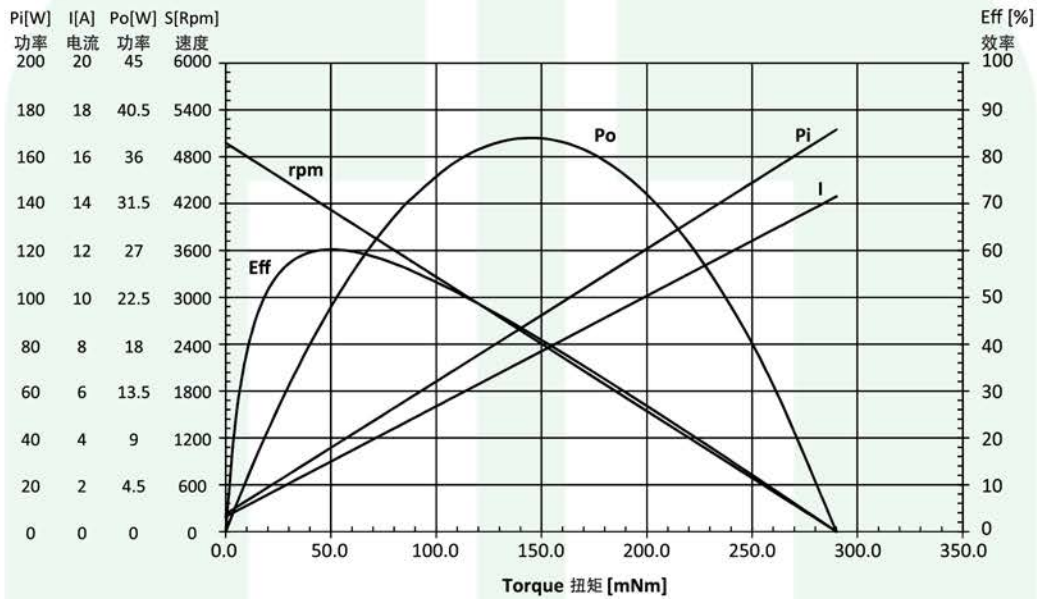


**Typical Applications 应用范围** : Ventilation System  
通风系统

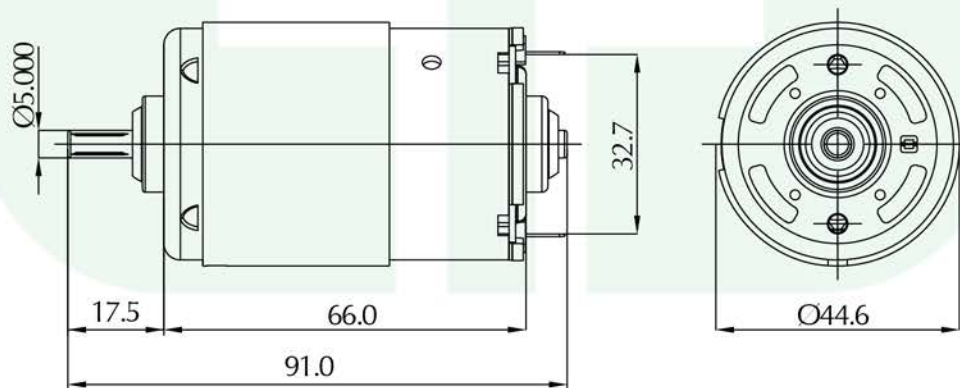
**Features 特性** : Long Life  
长寿命

**Weight 重量** : 379(g/克)

## Performance Curve 曲线图



## Dimension mm 外形尺寸 毫米



## Performance (testing under room temperature) 马达性能(室内温度测度结果)

Model 产品类型	Motor Performance 电机性能																Motor Characteristics 电机特性	
	Voltage 电压		No Load 空载		Stall 堵转		Maximum Efficiency 最高效率					Maximum Power 最大功率					Torque Constant [mNm/A]	Speed Constant [rpm/mNm]
	Rated [V]	Operating [V]	Speed [rpm]	Current [A]	Torque [mNm]	Current [A]	Torque [mNm]	Speed [rpm]	Current [A]	Power [W]	Eff [%]	Torque [mNm]	Speed [rpm]	Current [A]	Power [W]	Eff [%]		
01070530001	12	9-16	5,010	0.5	290	14.3	50	4,115	3	21.7	60.2	145	2,480	7.4	37.8	42.2	21.2	17.1

This product catalogue is subject to copyright owned by the limited. Any reproduction, adaptation, distribution, dissemination or making available of such copyright works to the public is strictly prohibited. All product information is for reference only, detailed specification is subject to final confirmation.

产品资料乃授本公司之版权保护。任何复制、改编、分发、发布或提供该等版权之资料向公众是严格禁止的。所有产品信息仅供参考，详细规格以最后确认为准。