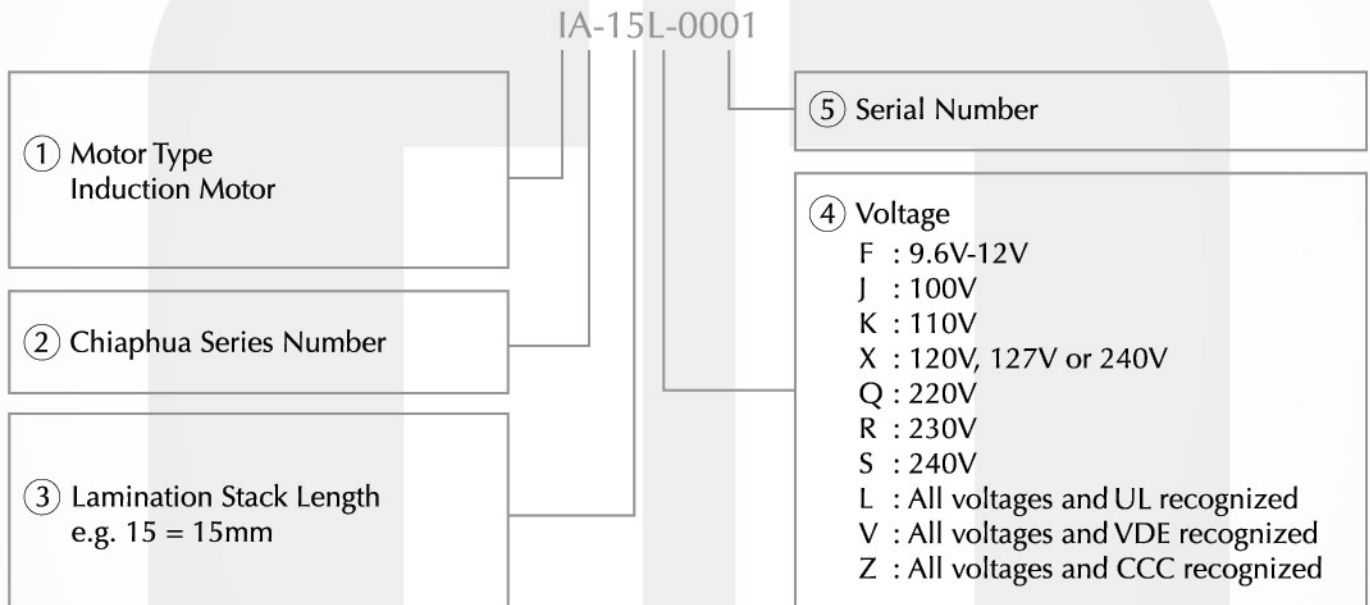


Induction Motor

CCL induction motors belong to single-phase squirrel-cage type, with diameters ranging from 3.3" to 5.6" (83.8mm to 142.2mm). They are commonly used in air conditioning, food processor, garage door opener and white goods. Customized induction motors with desire dimensions and performance can also be tailor made upon request



The information above is for reference only, detailed specification is subject to final confirmation